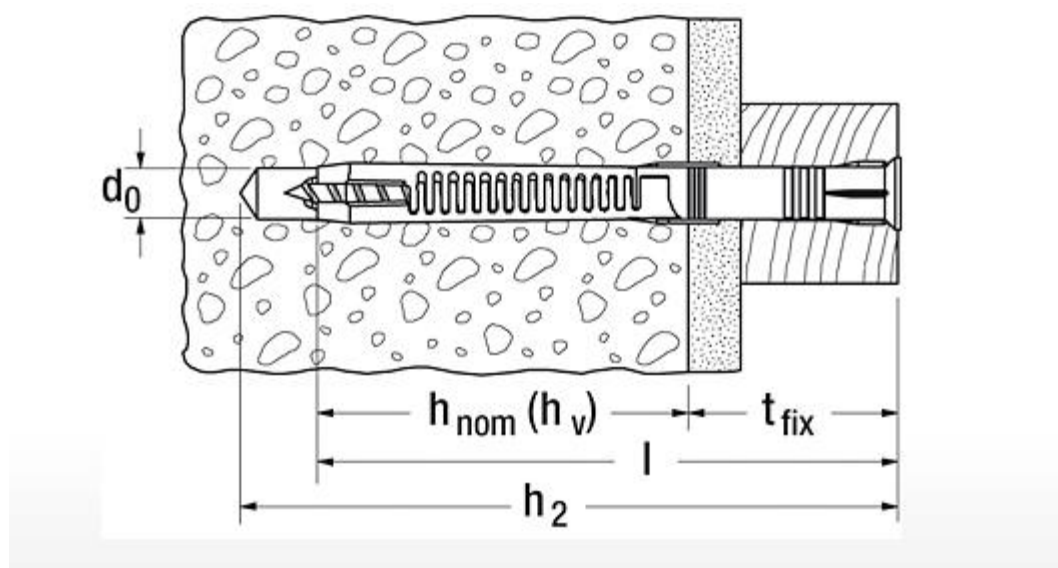


Дюбел универсален,к-кт с винт T

FUR 8 x 100 T K NV, блистер



Drill hole diameter	d_0	8	[mm]
Anchor length	l	100	[mm]
Min. drill hole depth	h_1	110	[mm]
Min. drill hole depth for through fixings	h_2	110	[mm]
Min. anchorage depth	$h_{nom} (h_v)$	70	[mm]
Max. fixture thickness	t_{fix}	30	[mm]
Drive		T30	
fischer safety screw	$d_s \times l_s$	6 x 105	[mm]
Card contents		4 x FUR 8 x 100 T, 4 x safety screw 6 x 105 T30, pre-assembled	
Sales unit		10	[pcs]
GTIN (EAN Code)		4006209909362	